

CB - BK Veterans 2022 M2-90

Competitors: 6

Competitors A

| # | Name | Club | 1 | 2 | 3 | Wins | Pts | Pos |
|---|----------------|--------------------------------|----|----|---|------|-----|-----|
| 1 | JONATHAN LOIX | J.C.OUFFET | | 10 | 0 | 1 | 10 | 2 |
| 2 | LAURENT DAULIE | JC ATHOIS | 0 | | 0 | 0 | 0 | 3 |
| 3 | JOCHEN LAMSENS | JUDOCLUB KAWAISHI INGELMUNSTER | 10 | | | 11 | | 1 |

Matches A

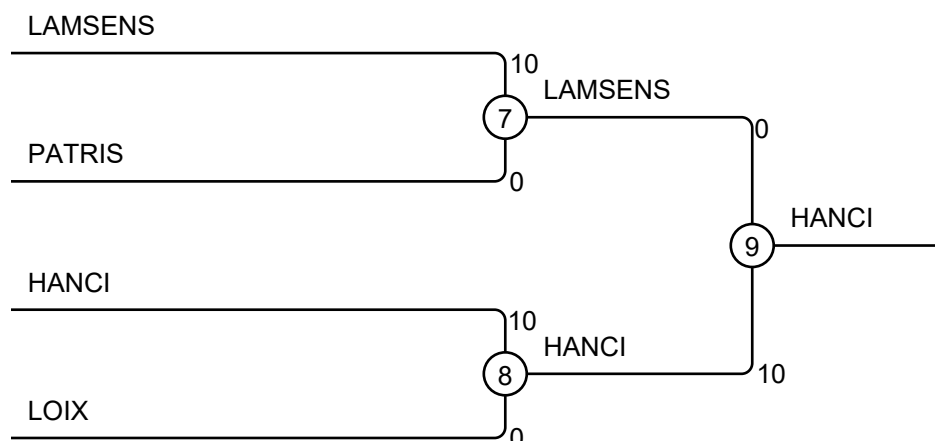
| Match | White | Blue | Result | Time |
|-------|----------------|--------------------|--------|------|
| 1 | JONATHAN LOIX | 1 2 LAURENT DAULIE | 10 - 0 | 2:54 |
| 3 | JONATHAN LOIX | 1 3 JOCHEN LAMSENS | 0 - 1 | 4:13 |
| 5 | LAURENT DAULIE | 2 3 JOCHEN LAMSENS | 0 - 10 | 3:24 |

Competitors B

| # | Name | Club | 4 | 5 | 6 | Wins | Pts | Pos |
|---|-------------------|-----------------------------|---|---|---|------|-----|-----|
| 4 | OSMAN HANCI | A M ROYAL JUDO POSEIDON RYU | | | | 2 | 20 | 1 |
| 5 | BENJAMIN PATRIS | JUDO CLUB NAMUROIS | 0 | | 1 | 1 | 1 | 2 |
| 6 | MICHAËL VAN BELLE | DOJO LIEGEOIS 6069 | 0 | 0 | | 0 | 0 | 3 |

Matches B

| Match | White | Blue | Result | Time |
|-------|-----------------|-----------------------|--------|------|
| 2 | OSMAN HANCI | 4 5 BENJAMIN PATRIS | 10 - 0 | 0:54 |
| 4 | OSMAN HANCI | 4 6 MICHAËL VAN BELLE | 10 - 0 | 0:09 |
| 6 | BENJAMIN PATRIS | 5 6 MICHAËL VAN BELLE | 1 - 0 | 3:00 |



Results

| Pos | Name |
|-----|---|
| 1 | OSMAN HANCI A M ROYAL JUDO POSEIDON RYU |
| 2 | JOCHEN LAMSENS JUDOCLUB KAWAISHI INGELMUNSTER |
| 3 | BENJAMIN PATRIS JUDO CLUB NAMUROIS |
| 3 | JONATHAN LOIX J.C.OUFFET |